

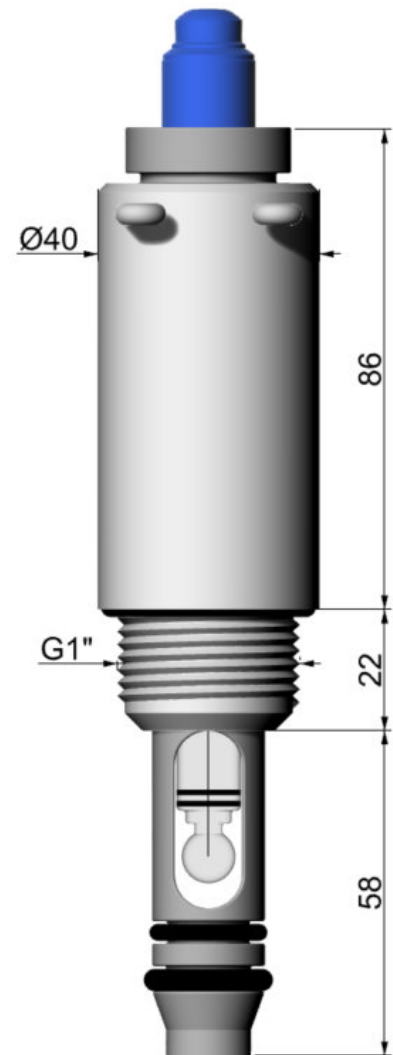


- For piping with overpressure
- PPH, PVDF version
- Process connection: G $\frac{3}{4}$ " and G1"
- Insertion and removal of the electrode in running process

The **slide-change fitting** equipped with pH or redox electrodes enables measurements in a pressure pipeline or in a filled tank.

Advantage: Performing a calibration, unscrewing and screwing in the electrode is possible without interrupting the running process, or with a filled tank.

The **slide-change fitting** is compatible with our **pH ORP electrodes pH110 and Pt110** and other commercially available electrodes, Pg13.5 connection with standard length = 120mm.



TECHNICAL DATA: Subject to change without notice.

Material: PP and PVDF

Seals: EPDM

Process connection: G $\frac{3}{4}$ " and G1"

Temperature / overpressure at G $\frac{3}{4}$ "
at 50°C / 5bar (PP) and at 100°C / 5bar (PVDF)

Temperature / overpressure at G1"
at 50°C / 12bar (PP) and at 100°C / 12bar (PVDF)

Note: The operation of the sliding retractable assembly under pressure > 2...3 bar, is no longer useful.



Handling:

Remove 2 x cotter pin

Pull back electrode with sliding tube

Reinsert 2 x split pin

Unscrew electrode from the slide tube.

