

Conductivity measuring cell LMN1-3L in 3-wire technology - 1000mS



For conductive measurement in liquids

0022.6150 LMN1-3L PP

0022.6250 LMN1-3L PVDF

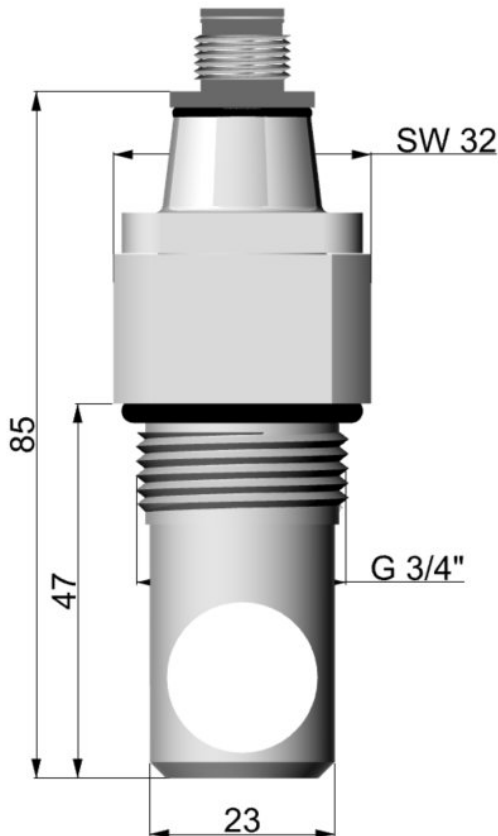


Terminal assignment:

- Terminal 6 = NTC / Black
- Terminal 7 = Electrode 2 / White
- Terminal 7S = Electrode 2 Sense / Gray
- Terminal 8 = Electrode 1 / Brown
- Terminal 9 = NTC / blue

Connection cable available in 3, 5, 10m

In combination with our MW22-1S transducer, this measuring unit has a measuring range up to 1000 mS with a measuring accuracy of 2% !



Technical data: Subject to change without notice.

Cell constant ZK1	
Accuracy ZK	+/- 3%
Temperature compensation	NTC 2k
Mat. Sleeve / Measuring surfaces	Titan / Graphit
Cell housing	PP / PVDF max. 70°C / 120°C
Seals O-ring	VITON
Screw-in thread	G 3/4"
Compressive strength	16 bar ...50°C / 100°C
Connection	M12 Plug

