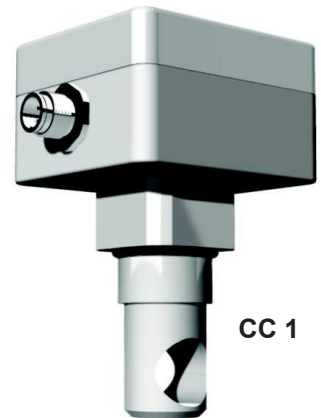


Conductivity meters LMA-I 1000



For conductive measurement in liquids up to 1000 mS/cm

0022.8030.1 LMA-I 1000 PP
0022.8035.1 LMA-I 1000 PVDF



Programmable conductivity meter with

LED display green / green-red / red

2 x Current output: 0(4)...20mA for conductance or for temperature.

Measuring range selection

Measuring range: /cm

1000 mS
500 mS
200 mS
100 mS
50 mS
20 mS
10 mS

The analog outputs are assigned to the selected measuring range,
e.g. 0...10mS $\hat{=}$ 0(4)... 20mA, or the temperature: 0...100°C $\hat{=}$ 0(4)...20mA.
Temperature sensor: Pt1000 KI. B



Technical data: (subject to change)

Temperature compensation	TC nat , TC lin 0...6,0
Reference temperature	25°C
Measurement accuracy, after fine adjustment	±3% , ±1%
Operating voltage	12 / 24 VDC ± 10%
Current consumption	< 50 mA
Galvanic isolation	Yes, the measurement input is galvanically isolated.
Cable connection	Plug M12-GX12
Ambient temperature	-20...50°C
Protection class	IP65
Housing measuring cells	PP / PVDF
Medium contacting materials	Titan, Graphite, Viton
Temperature resistance measuring cells	PP 0...60°C / PVDF 0...110°C
Compressive strength	16 bar until 60°C PP / 16 bar until 110°C PVDF

Plug connection

Viewed from the outside on the pins.



M12-GX12 connection cable

Brown	BN	1	Ground
White	WH	2	+24VDC
Gray	GY	3	Ground
Yellow	YE	4	OUT1
Green	GN	5	OUT2

