

# Conductivity meters LMA-F CC001- CC01- CC1



For conductive measurement in liquids

0022.8040.001 LMA-F 001 PP  
0022.8045.001 LMA-F 001 PVDF

0022.8040.01 LMA-F 01 PP  
0022.8045.01 LMA-F 01 PVDF

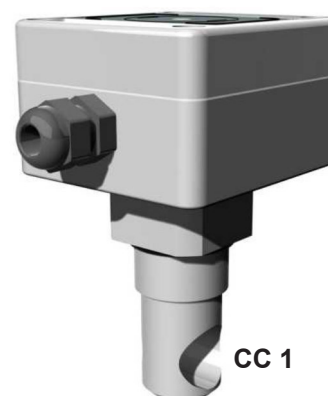
0022.8040.1 LMA-F 1 PP  
0022.8045.1 LMA-F 1 PVDF



CC 0,01



CC 0,1



CC 1

## Programmable conductivity meter with

2 x frequency output: 0...100 / 1000 Hz for conductance or for temperature.

Measuring range: /cm

Measuring range: /cm

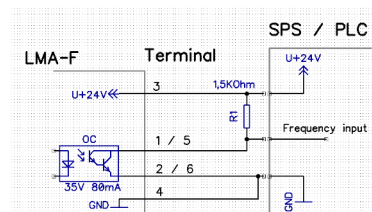
Measuring range: /cm

### Measuring range selection

100 μS	_____	1000 μS	_____	200 mS
50 μS	_____	500 μS	_____	100 mS
20 μS	_____	200 μS	_____	50 mS
10 μS	_____	100 μS	_____	20 mS
5 μS	_____	50 μS	_____	10 mS
2 μS	_____	20 μS	_____	5 mS
1 μS	_____	10 μS	_____	2 mS
500 nS	_____			1000 μS
200 nS	_____			500 μS
100 nS	_____			200 μS
				100 μS

The frequency outputs are assigned to the selected measuring range, e.g. 0...10mS ≅ 0...1000 Hz, or to the temperature: 0...100°C ≅ 0...1000 Hz. Temperature sensor: Pt1000 KI. B.

For frequency measurement the output must be wired according to scheme.

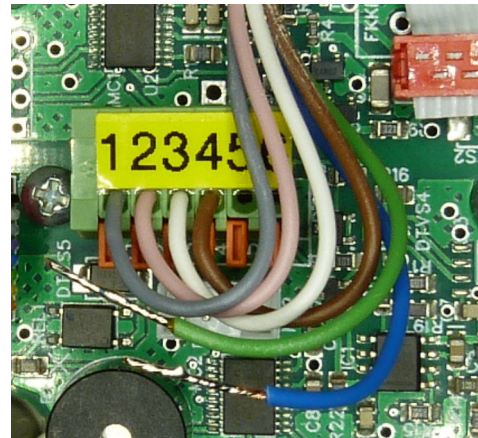
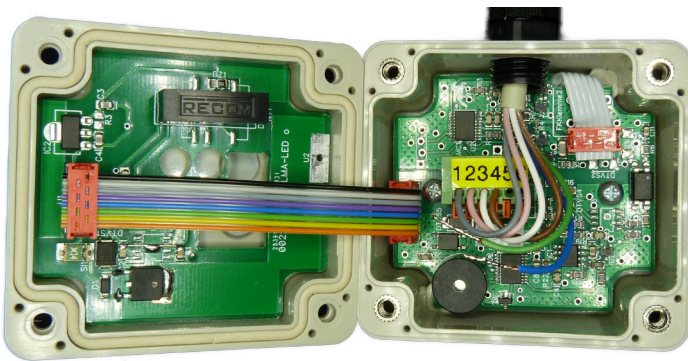


# Conductivity meters LMA-F CC001- CC01- CC1



**Technical data:** (subject to change)

Temperature compensation	TC nat , TC lin 0...6,0
Reference temperature	20°C / 25°C
Measurement accuracy, after fine adjustment	±3% , ±1%
Operating voltage	12 / 24 VDC ± 10%
Current consumption	< 50 mA
Galvanic isolation	Yes, the measurement input is galvanically isolated.
Cable connection	6 x 0,25 sqmm
Ambient temperature	-20...50°C
Protection class	IP65
Housing measuring cells	PP / PVDF
Medium contacting materials	CC 0.01 / 0.1 1.4404, EPDM / CC 1 Titan, Graphite, EPDM
Measuring surfaces CC 0.01 + 0.1 / CC 1	1.4404 / Graphite
Temperature resistance measuring cells	PP 0...60°C / PVDF 0...110°C
Compressive strength	16 bar until 60°C PP / 16 bar until 110°C PVDF



1+2 = potential free switching output / frequency output.  
Load = 0...30V 50mA max. ( Opto coupler)

3 = +24VDC supply voltage  
4 = GND

5+6 = potential free switching output / frequency output  
Load = 0...30V 50mA max. ( Opto coupler )

**Recommended connection:**

0.25...0.34qmm  
Strip wire 10mm long  
and tin.

